



Bonfiglioli

Mobile

Products range



Bonfiglioli
power, control and green solutions

Power, control and green solutions



Bonfiglioli, one name for a large international group.

It was back in 1956 that Clementino Bonfiglioli established in Bologna, Italy, the company that still bears his name. Now, some fifty years later, the same enthusiasm and dedication is driving Bonfiglioli to become the world's top name in power transmission and control solutions. Through directly controlled subsidiaries and production plant around the world, Bonfiglioli designs, manufactures and distributes a complete range of gearmotors, drive systems and planetary gearboxes, and boasts the most integrated offering on the market today.

Now, to emphasise its commitment to health, safety and environmental sustainability, Bonfiglioli is adding the term "green" to the description of its offering.

This commitment can be seen too in the Group's new trademark, made up of three shapes and colours identifying Bonfiglioli's three main business areas - Power, Control & Green Solutions and symbolising a set of values that includes openness and respect for other cultures.

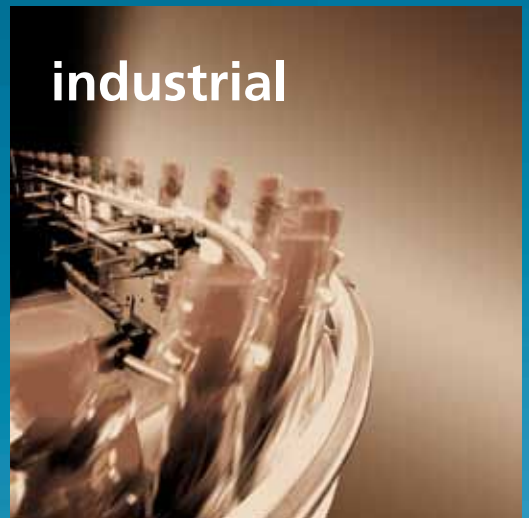
In a market in which excellent product quality alone is no longer sufficient, Bonfiglioli also provides experience, know-how, an extensive sales network, excellent pre-sales and after-sales service and modern communication tools and systems to create high level solutions for industry, mobile machinery and renewable energy.

Bonfiglioli solutions

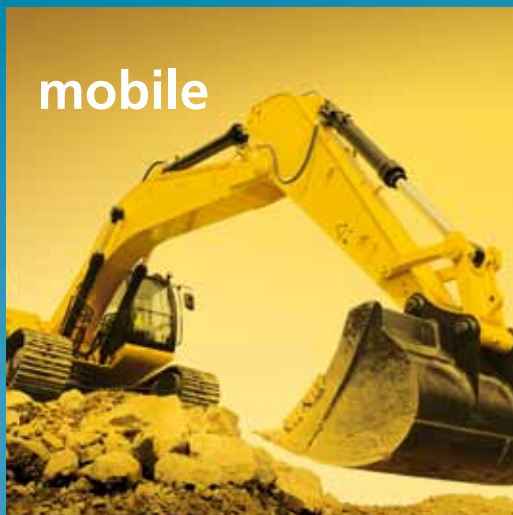
wind



industrial



mobile



photovoltaic



A complete range of innovative products for mobile solutions.

Bonfiglioli Riduttori today is one of the top brands in the power transmission industry. The company's success is the result of a business strategy that relies on three fundamental factors: know-how, innovation and quality. The complete range of Bonfiglioli brand gearmotors offers excellent technical characteristics and guarantees the highest performance. Substantial investment and technical expertise have enabled the company to achieve an annual production output of 1600000 units using completely automated processes.

Certification of the company's Quality System by DNV and TÜV is proof of the high quality standards achieved. With the acquisition of the Vectron brand, Bonfiglioli is now established as leader of the industrial automation sector.

Bonfiglioli Vectron delivers products and services for completely integrated inverter solutions. These solutions complement Bonfiglioli's power transmission and control offering to the industrial sector.

Since 1976, Bonfiglioli Trasmital's know-how in the power transmission industry has focused on special applications offering 100% reliability in the manufacturing of gearmotors for mobile machinery.

This includes the full range of slew and wheel drive applications and gearboxes for wind turbine pitch and yaw drive systems.

Today Bonfiglioli Trasmital stands at the forefront of the industry as a key partner to top manufacturers worldwide.



Bonfiglioli Mobile



Specific solutions for power transmission and motion control.

Product diversification, process automation, and quality have enabled Bonfiglioli to play a leading role in the industry. Bonfiglioli's policy focuses on integrated solutions, competence and innovative technology as key factors, indispensable to ensure customer satisfaction, while production is aimed at achieving the highest standards.

Bonfiglioli product portfolio aims at meeting the toughest and most sophisticated requirement for Industrial Process and Automation Solution and for Mobile Equipment Solutions.



Bonfiglioli products

Mobile market segment is covered through the following Product Line:



Product offer

Planetary drives

10 300 series

Transit mixer drives

12 500 series

Wheel drives

14 600 series

16 600W2/3

Travel drives

18 700C series

Track drive gearmotors

20 700CK series

Slew Drives

22 700T series

24 700TK series

Winch Drives

26 800 series

28 **Values**

30 **Worldwide**

300 series Planetary drives



The powerful solution to all heavy duty drive problems.

The 300 series are compact and powerful. Their planetary drive train makes them the ideal choice for all the severe duty applications where shock loads and impacts are more the rule than the exception. The product configuration is highly versatile, due to several options as far as the mounting, the gear layout, the output shaft and the motor interface. All the features are available for each of the 20 finely spaced frame sizes, spanning over the 1000 - 1100000 Nm torque range. Finding the perfect match to any drive problem is therefore more than a wish, it is something users can safely rely on - always.

Torque Range

1000 ... 1100000 Nm

Transmissible Mechanical Power

up to 1050 kW

Gear Ratios

3.4 ... 5000

Gear Unit Versions

In line

Right angle (with a spiral bevel gear set)

Output Configuration

Foot and flange mounted

Output shaft: solid with key, splined, splined hollow, hollow with shrink disc

Input Configurations

Flanged axial piston hydraulic motors

Hydraulic orbit motors

IEC and Nema motor adaptors

Solid input shaft

Hydraulic Brake

Hydraulically released parking brake on request

Electric Brake




DC and AC type

Type	Torque [Nm]
300	1000
301	1750
303	2500
304	3600
305	5000
306	8500
307	12500
309	18000
310	25000
311	40000
313	55000
314	80000
315	100000
316	135000
317	170000
318	250000
319	350000
321	500000
323	800000
325	1100000

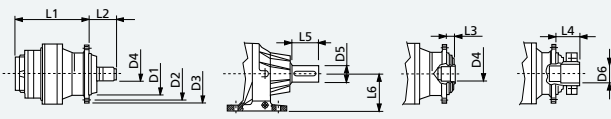


Overall dimensions and technical data



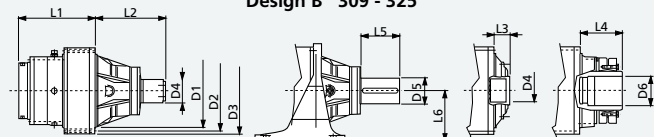
Type	Max power kW	Max input speed RPM	Design			
			 Inline	 Right angle	 Combined with worm gear	
300	20	3000	3.4 - 2700	7 - 700	400 - 2300	A
301	30	3000	3.4 - 2700	7 - 700	400 - 2300	A
303	40	3000	3.6 - 2800	9 - 800	400 - 2400	A
304	50	3000	3.6 - 2500	9 - 700	400 - 2400	A
305	60	3000	3.6 - 2800	9 - 800	400 - 2400	A
306	75	2500	3.6 - 2900	9 - 800	400 - 2600	A
307	100	2500	3.4 - 2400	13 - 700	400 - 2500	A
309	130	2500	3.4 - 2400	13 - 700	400 - 2500	B
310	150	2000	4 - 2500	40 - 900	400 - 5000	B
311	180	2000	4 - 2100	18 - 800	400 - 5000	B
313	200	2000	4 - 2200	18 - 800	400 - 5000	B
314	225	2000	4 - 1800	50 - 600	400 - 5000	B
315	250	1500	4 - 1800	70 - 900	400 - 5000	B
316	270	1500	4.4 - 1200	50 - 600	400 - 5000	B
317	300	1000	4 - 1900	70 - 900	400 - 5000	B
318	340	1000	4.4 - 1100	200 - 700	400 - 5000	B
319	380	500	4.8 - 1400	300 - 800	2500 - 5000	B
321	450	300	4.4 - 1100	300 - 800	1000 - 5000	B
323	850	300	4.6 - 1300	-	-	B
325	1050	300	4.6 - 1300	-	-	B

Design A 300 - 307



Output HZ Output PC Output FZ Output FP

Design B 309 - 325



Output HZ Output PC Output FZ Output FP

Type	D1	D2	D3	D4	D5	D6	L1 (2 stages)	L2	L3	L4	L5	L6
300	110	165	185	40x36 DIN 5482	38	42	168	61	14	50	58	100
301	110	165	185	40x36 DIN 5482	50	42	180	61	14	50	82	132
303	150	195	222	58x53 DIN 5482	60	75	200	83	15	85	105	160
304	150	195	222	58x53 DIN 5482	60	75	212	83	15	85	105	160
305	150	195	222	58x53 DIN 5482	60	75	230	83	15	85	105	160
306	200	250	280	70x64 DIN 5482	80	90	260	130	40	115	130	180
307	230	295	325	80x74 DIN 5482	90	100	300	162	36	120	170	200
309	278	314	348	80x74 DIN 5482	100	120	215	231	82	245	165	225
310	340	370	400	100x94 DIN 5482	110	130	245	290	95	290	210	250
311	358	390	428	100x94 DIN 5482	120	135	250	320	88	190	210	280
313	385	415	445	120x3 DIN 5480	140	145	310	357	81	235	200	280
314	460	503	542	150x5 DIN 5480	160	180	370	429	98	260	240	315
315	460	503	542	150x5 DIN 5480	160	180	390	429	98	260	240	315
316	580	625	670	170x5 DIN 5480	180	180	430	275	145	265	260	400
317	560	635	695	200x5 DIN 5480	200	260	470	352	152	318	260	415
318	700	750	800	220x5 DIN 5480	250	220	550	340	155	305	330	500
319	800	880	940	260x5 DIN 5480	280	350	570	470	210	440	380	550
321	940	1020	1100	300x8 DIN 5480	340	390	595	500	250	440	540	650
323	1100	1220	1300	400x8 DIN 5480	-	410	666	-	375	520	-	-
325	1260	1380	1460	450x8 DIN 5480	-	450	698	-	400	590	-	-

500 series Transit mixer drives

When you cannot afford any down time, then quality is the top priority. Absolute dependability, low maintenance, compactness and price effectiveness are the key features of the renovated 500 series, the unparalleled line of drives for transit mixers. Eight models available for mixing capacity ranging from 1 to 12 m³.



Torque Range
3000 ... 75000 Nm

Truck mixer capacity
1 to 12 cubic meters

Gear Ratios
17 ... 161

Key Features
Rotating housing flange
Rugged design
High torque capacity
High load capacity
Tilting output flange, evenly in all directions
Mounting frame for water tank
Water pump P.T.O.
Speed sensor

Applicable hydraulic motors
Axial piston motors to SAE Standard orbit motors

Type	Torque [Nm]
501	3000
564	12000
565	12000
567	20000
568	20000
575	50000
577	60000
580	75000



Overall dimensions and technical data



Type	Range of ratios	Hydraulic motor drive	Max. input speed	Drum capacity	Weight	Oil quantity	Design	Water pump P.T.O.	Speed sensor
	1:	(1)	min -1	(2)	Kg	L			
501	17-23-29	LS	550	0.5 - 1	45	1.5	A	-	-
564	78-161	HS	2500	2 - 3	85	2	A	-	-
565	22	LS	550	2 - 3	70	1.5	A	-	-
567	76-90-115-128	HS	2500	4 - 5	140	3	A	-	-
568	18-21-27	LS	550	4 - 5	130	2.5	A	-	-
575	99.3-102-141	HS	3000	6 - 8	250	7	B	•	•
577	131	HS	3000	8 - 10	290	8.5	B	•	•
580	130-135-140	HS	3000	10 - 12	320	10	B	•	•

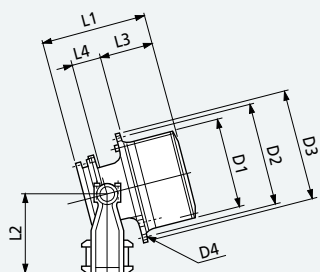
(1) LS = Low speed motor, HS = High speed motor

(2) General indication, application capacity depend on concrete slump

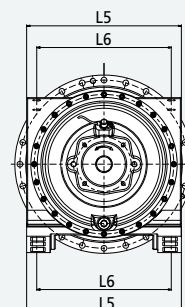
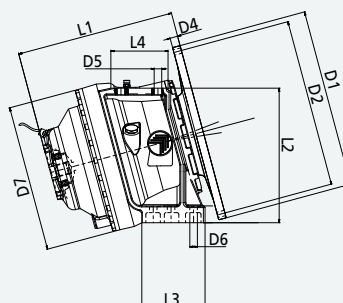
- = Not available

• = Available

Design A



Design B



Type	D1	D2	D3	D4	D5	D6	D7	L1	L2	L3	L4	L5	L6
501	200	222	245	13 n°4	-	-	-	270	195	138	89	-	-
564	280	310	340	17 n°10	-	-	-	365	240	165	85	-	-
565	280	310	340	17 n°10	-	-	-	290	240	165	85	-	-
567	358	390	430	17 n°18	-	-	-	435	300	210	110	-	-
568	358	390	430	17 n°18	-	-	-	360	300	210	110	-	-
575	530	500	-	17 n°24	22 n°4	22 n°6	435	450	400	188	170	460	400
577	530	500	-	17 n°24	22 n°4	22 n°6	435	450	400	188	170	460	400
580	530	500	-	17 n°24	22 n°4	22 n°6	435	525	400	188	170	460	400

600 series Wheel drives

Benefit from the experience of the leading manufacturer.

Whether you are designing a wheeled agriculture or construction equipment, the 600 series will offer you the right choice for your vehicle.

A disengagement device to tow the vehicle in an emergency is optionally available.



Torque Range

1750 ... 60000 Nm

Gear Ratios

5.8 ... 153

Key Features

Rotating housing flange with studs to fit wheels and drums

Rugged design

High torque capacity

High load capacity

Mechanical lifetime seals

Compact design

Optional mechanical gear disengagement on request

Applicable motors

Cartridge axial piston hydraulic motors

Flanged axial piston hydraulic motors

Hydraulic orbit motors

DC electric motors

Brake

Hydraulically released parking brake on request

Type	Torque [Nm]
601 R	1750
603 W..V	4000
603 W..L	4000
605 W..V	7000
606 W..V	12000
607 W..V	17000
609 W..V	23000
610 W..V	30000
611 W..V	36000
613 W..V	45000
615 W..V	60000

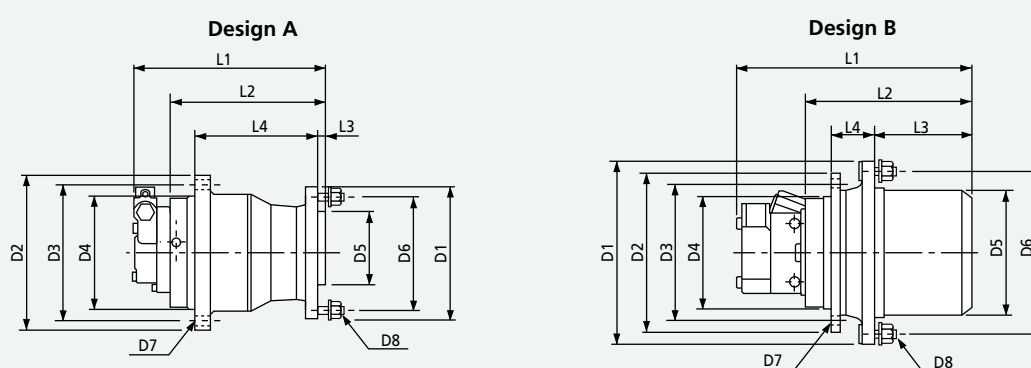


Overall dimensions and technical data



Type	Range of ratios	Max. input speed	Hydraulic motor drive	Braking torque	Min. opening pressure	Weight	Design
	1:	min -1	(1)	Nm	bar	Kg	
601 R	5.77	500	LS	450 - 600	15 - 20	35	A
603 W..V	19-23-32-40	3000	HS	210	18	45	B
603 W..L	19-23-32-40	3000	HS	210	18	45	A
605 W..V	22-27-30-42-53	3000	HS	220 - 310	10 - 20	70	B
606 W..V	30- 35-43-68-79	3000	HS	300 - 800	15 - 20	110	B
607 W..V	55-120	3000	HS	300 - 600	15 - 20	140	B
609 W..V	55-147	3000	HS	300 - 600	15 - 20	170	B
610 W..V	55-123	3000	HS	300 - 800	15 - 20	200	B
611 W..V	41-47	3000	HS	300 - 800	15 - 20	250	B
613 W..V	108	3000	HS	300 - 800	15 - 20	250	B
615 W..V	108	3000	HS	300 - 1000	15 - 20	350	B

(1) LS = Low speed motor
HS = High speed motor



Type	D1	D2	D3	D4	D5	D6	D7	D8	L1	L2	L3	L4
601 R	230	260	230	200	152.4	203.2	15 n°8	M14x1.5 n°8	Depend on motor type	245	10	195
603 W..V	280	270	230	190	200	245	M16x2 n°8	M18x1.5 n°6		230	128	72
603 W..L	280	270	230	190	160	205	M16x2 n°8	M18x1.5 n°6		230	25	175
605 W..V	310	270	230	190	220	275	M16x2 n°8	M20x1.5 n°6		260	158	72
606 W..V	370	330	300	270	280	335	M16x2 n°18	M22x1.5 n°10		330	200	115
607 W..V	400	317	285	240	300	355	M20x2.5 n°20	M18x1.5 n°20		335	233	82
609 W..V	435	375	340	300	350	400	M20x2.5 n°16	M22x1.5 n°16		350	243	91
610 W..V	435	375	340	300	350	400	M20x2.5 n°16	M22x1.5 n°16		350	243	91
611 W..V	490	425	325	290	410	455	M20x2.5 n°24	M20x1.5 n°24		375	242	110
613 W..V	490	425	325	280	410	455	M20x2.5 n°24	3/4-16 UNF n°24		405	275	110
615 W..V	550	500	460	420	460	510	M20x2.5 n°24	M20x1.5 n°24		470	320	130

600W2/3 Wheel drives

Gear shift final drive LO-HI Speed.

This gear shift final drive is specifically designed for wheeled and tracked machines featuring a significantly different travel/operating speed ratio. The product is the ideal solution for road paving machines, construction equipment, as well as agricultural and forestry machines.



Torque Range

15000 Nm - 40000 Nm

Gear Ratios

LO speed : 71 87 85 104 141,3
HI speed : 20.5 20.5 24.5 24.5 24.5

Key Features

- Dual gear ratio, hydraulic Lo-Hi speed shifting
- Rotating housing
- Rugged design
- High torque capacity
- High load capacity
- Mechanical lifetime seals
- Compact design
- Hydraulically operated multidisc clutches, allowing both speed shifting and brake

Applicable motors

Cartridge axial piston hydraulic motors

Brake

- Hydraulically released multidisc type
- Parking braking
- Emergency braking

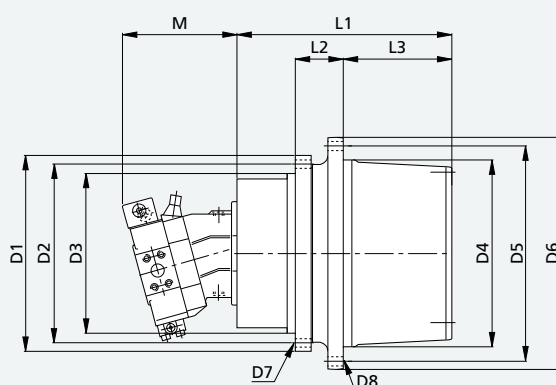
Type	Torque [Nm]
606W2/3	15000
610W2/3	40000



Overall dimensions and technical data



Type	Max. input speed	Max. output speed	Dynamic & emergency braking torque	Braking torque	Brake and clutch release pressure	Weight	Oil quantity
	rpm	rpm	Nm	Nm	bar	Kg	L
606W2/3	3500	140	20000	400	20 ÷ 40	180	2.5
610W2/3	3000	120	30000	550	20 ÷ 40	200	3



Type	D1	D2	D3	D4	D5	D6	D7	D8	L1	L2	L3
606W2/3	430	360	300	290	335	370	M16x2 n°16	M22x1.5 n°10	305	188	135
610W2/3	375	340	300	350	400	435	M20x2.5 n°16	M20x2.5 n°16	388	91	203

700C series Travel drives

Leadership is never achieved without continuing efforts and consistent product development.

Any crawler machine, no matter how big or small, will find the suitable travel drive within the range of the 700C series.

All units available with a failsafe parking brake and for most cartridge type fixed or variable displacement hydraulic motors.



Torque Range

1000 ... 330000 Nm

Gear Ratios

5.3 ... 364

Key Features

- Rotating housing
- Rugged design
- High torque capacity
- High load capacity
- Mechanical lifetime seals
- Compact design

Applicable hydraulic motors

- Cartridge axial piston motors
- Flanged axial piston motors
- Orbit motors

Brake

Hydraulically released parking brake on request

Type	Torque [Nm]
700 C1 H	1000
701 C1	2200
703 C2 H	4000
705 C2 H	10000
706 C3 B	18000
707 C3 B	26000
709 C3 B	30000
710 C3 B	36000
711 C3 B	45000
713 C3 B	60000
715 C3 B	85000
716 C3 B	100000
717 C3 H	130000
718 C3 H	180000
720 C3 H	220000
722 C3 H	330000

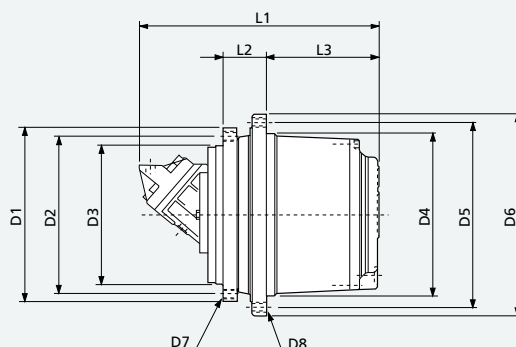


Overall dimensions and technical data



Type	Range of ratios	Max. input speed	Hydraulic motor drive	Braking torque	Min. opening pressure	Weight
	1:	min -1	(1)	Nm	bar	Kg
700 C1 H	5.25	1000	LS	140 - 250	15 - 25	20
701 C1	6.2	1000	LS	250 - 350	20 - 30	25
703 C2 H	19-40	3500	HS	210	18	42
705 C2 H	22-53	3500	HS	220 - 310	10 - 20	60
706 C3 B	68-173	3500	HS	250 - 500	10 - 20	95
707 C3 B	55-120	3500	HS	250 - 500	10 - 20	135
709 C3 B	55-147	3500	HS	250 - 600	10 - 20	180
710 C3 B	55-123	3500	HS	250 - 600	10 - 20	200
711 C3 B	89-173	3500	HS	400 - 800	10 - 20	270
713 C3 B	81-142	3000	HS	400 - 800	10 - 20	310
715 C3 B	108-156	3000	HS	600 - 1000	10 - 20	350
716 C3 B	83-175	3000	HS	800 - 1200	10 - 20	400
717 C3 H	148-210	3000	HS	800 - 1200	10 - 20	630
718 C3 H	207	3000	HS	800 - 1200	10 - 20	750
720 C3 H	287	3000	HS	800 - 1200	10 - 20	820
722 C3 H	296-364	3000	HS	1500 - 2000	15 - 30	1300

(1) LS = Low speed motor
HS = High speed motor



Type	D1	D2	D3	D4	D5	D6	D7	D8	L1	L2	L3
700 C1 H	195	175	155	160	180	200	M10x1.5 n°8	M10x1.5 n°8	Depend on motor type	40	80
701 C1	230	200	180	190	210	230	M10x1.5 n°8	M10x1.5 n°8		40	105
703 C2 H	270	230	190	200	240	280	M16x2 n°8	M20x1.5 n°8		72	128
705 C2 H	270	230	190	220	260	300	M16x2 n°12	M16x2 n°16		72	158
706 C3 B	330	300	270	280	330	370	M16x2 n°18	M16x2 n°18		115	190
707 C3 B	317	285	240	300	340	370	M20x2.5 n°20	M16x2 n°20		82	233
709 C3 B	375	340	300	330	370	400	M20x2.5 n°16	M16x2 n°30		91	243
710 C3 B	375	340	300	350	400	435	M20x2.5 n°16	M20x2.5 n°16		91	243
711 C3 B	425	325	290	410	455	490	M20x2.5 n°24	M20x2.5 n°24		110	265
713 C3 B	425	325	290	410	455	490	M20x2.5 n°24	M20x2.5 n°24		110	280
715 C3 B	500	460	420	460	510	550	M20x2.5 n°24	M20x2.5 n°24		130	315
716 C3 B	500	460	420	460	500	550	M24x3 n°24	M18x1.5 n°36		165	308
717 C3 H	570	510	450	560	610	660	M30x3.5 n°20	M24x3 n°24		170	350
718 C3 H	570	510	450	576	626	670	M24x3 n°30	M24x3 n°20		170	350
720 C3 H	650	600	460	610	680	735	M30x3.5 n°30	M30x3.5 n°24	170	370	
722 C3 H	735	680	580	660	730	785	M30x3.5 n°30	M30x3.5 n°30	430	900	

700CK series Track drive gearmotors



Integrated design will result into the best possible product combination.
Extreme compactness, lightweight, efficiency and smooth operation are the key features of the 700CK series track drives, powered by integrated axial piston hydraulic motors, developed in cooperation with KAYABA.
Available for machines in the 1.5 to 100 Ton class range.

Torque Range
1200 ... 200000 Nm

Machine weight
1.5 up 100 Ton

Gear Ratios
20 ... 120

Key Features
Rotating output flange with large PCD suitable for sprocket
Rugged design
High torque capacity
High load capacity
Mechanical lifetime seals
Compact design

Hydraulic motors
KAYABA hydraulic motors, fixed and dual displacement, complete with counterbalance valve.

Motor options
Pressure relief valves, shockless type
Anticavitation valve

Brake
Hydraulically released failsafe parking brake automatically operated by main pressure

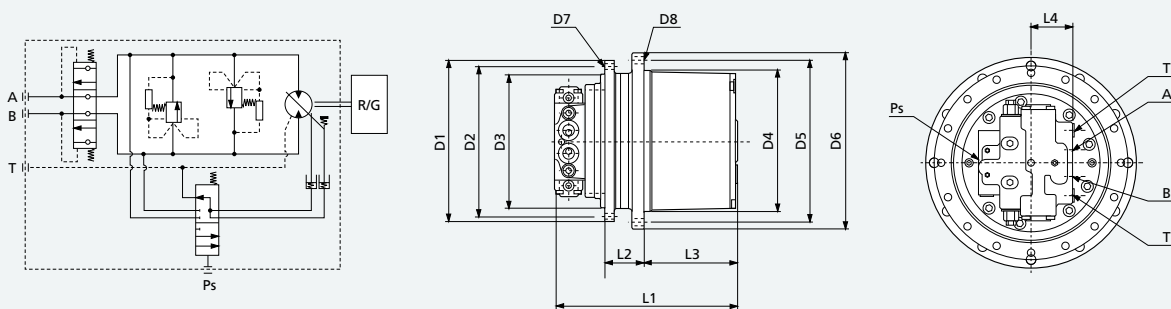
Type	Torque [Nm]
700 C2 K	1200
700-2C2 K	1900
701 C2 K	2500
702 C2 K	3500
704 C2 K	5000
705 C2 K	9000
706 C3 K	18000
707 C3 K	26000
709 C3 K	30000
710 C3 K	36000
713 C2 K	45000
713 C3 K	60000
715 C3 K	85000
716 C3 K	110000
718 C3 K	160000
720 C3 K	200000



Overall dimensions and technical data



Type	Motor displacement	Max. pressure	Max. flow	2 speed control min. pressure	Parking brake torque	Range of ratios	Weight	Approx. weight of machine
	max/min	bar	l/min	bar	Nm	1:	Kg	ton
700 C2 K	12-5.5	210	20	6	25	32-41	20	1.6
700-2C2 K	18-9	210	30	6	25	30-42	25	2
701 C2 K	18-11.6	250	35	6	25	30-53	25	3
702 C2 K	26.3-13.4	250	45	6	40	37-53	35	4
704 C2 K	33.8-19	250	60	6	40	45-53	60	5.5
705 C2 K	50.9-25.4	320	92	6	50	24-53	70	7
706 C3 K	50-25	300	75	6	50	68-128	80	8-10
707 C3 K	87-50	300	120	10	240	46-109	140	10-12
709 C3 K	87-50	300	160	10	400	53-123	225	13-20
710 C3 K	170-96	300	240	10	400	49-69	230	20-25
713 C2 K	170-96	300	230	10	400	55	280	25-29
713 C3 K	230-120	345	310	10	400	60-75	300	29-37
715 C3 K	230-340	345	370	10	400	62-82	380	37-50
716 C3 K	340	345	420	10	2000	75	500	50-60
718 C3 K	340	345	500	10	2000	85-106	850	60-80
720 C3 K	340	345	500	10	2000	120	1000	up to 120



Type	D1	D2	D3	D4	D5	D6	D7	D8	L1	L2	L3	L4	A-B	T	Ps
700 C2 K	175	155	140	140	155	175	M10x1.5 n°8	M10x1.5 n°8	202	45	93	40	1/4"	1/4"	1/4"
700-2C2 K	190	170	150	160	180	200	M10x1.5 n°8	M10x1.5 n°8	223	40	108	39	3/8"	1/4"	1/4"
701 C2 K	215	192	165	190	215	240	M12x1.75 n°9	M12x1.75 n°9	300	50	125	45	1/2"	1/4"	1/4"
702 C2 K	215	192	165	204	232	255	M12x1.75 n°9	M12x1.75 n°9	285	70	115	45	1/2"	1/4"	1/4"
704 C2 K	264	240	200	230	262	286	M14x2 n°9	M14x2 n°9	345	68	167	46	1/2"	3/8"	1/4"
705 C2 K	268	244	210	230	260	286	M14x2 n°12	M14x2 n°12	340	75	144	50	1/2"	3/8"	1/4"
706 C3 K	308	280	246	280	330	370	M16x2 n°20	M16x2 n°12	412	100	193	50	1/2"	3/8"	1/4"
707 C3 K	350	320	280	300	340	370	M16x2 n°16	M16x2 n°20	440	91	210	84	3/4"	1/2"	1/4"
709 C3 K	350	320	280	300	340	370	M16x2 n°16	M16x2 n°20	470	91	240	84	3/4"	1/2"	1/4"
710 C3 K	375	340	300	330	370	400	M16x2 n°30	M16x2 n°30	455	99.5	243	84	3/4"	1/2"	1/4"
713 C2 K	375	340	300	350	400	435	M16x2 n°30	M20x2.5 n°16	500	91	253	84	3/4"	1/2"	1/4"
713 C3 K	480	440	380	410	455	490	M24x3 n°18	M20x2.5 n°24	570	100	278	90	1"	1/2"	1/4"
715 C3 K	500	460	420	460	510	550	M20x2.5 n°24	M20x2.5 n°24	605	130	315	90	1"	1/2"	1/4"
716 C3 K	500	460	420	460	500	548	M24x3 n°24	M18x1.5 n°36	663	165	308	118	1"	3/4"	1/4"
718 C3 K	570	510	450	576	626	670	M24x3 n°30	M24x3 n°30	730	170	350	118	1"	3/4"	1/4"
720 C3 K	650	600	480	610	680	735	M30x3.5 n°30	M24x3.5 n°24	800	170	370	118	1"	3/4"	1/4"

700T series Slew drives

Innovative solutions for slew drives.

The slew drives of the 700T series provide the safest and most effective solution to all slew drive applications. The 700T units have long been established in the cranes, excavators and special equipment industries, and today are highly appreciated by all the major manufacturers.



Torque Range

1000 ... 80000 Nm

Gear Ratios

3.4 ... 2000

Key Features

- Flange mounted
- Output shaft: splined or with integral pinion
- Rugged construction
- High torque capacity
- Output shafts supported by heavy duty capacity bearings

Applicable motors

- Cartridge axial piston hydraulic motors
- Flanged axial piston hydraulic motors
- Hydraulic orbit motors
- IEC electric motors

Hydraulic motor options

- Pressure relief valve
- Overcenter valve

Hydraulic Brake

Hydraulically released parking brake on request

Electric Brake

DC and AC type

Type	Excavator Torque [Nm]
700 T1 F	1000
701 T1 F	1800
703 T2 F	2500
705 T2 F	5000
705 T2 L	5000
706 T2 N	7500
707 T2 N	9000
709 T2 N	12000
710 T2 N	18000
711 T2 C	20000
711 T2 F	20000
713 T3 N	40000
715 T3 N	70000

Type	Crane Torque [Nm]
700 T1 F	1200
701 T1 F	2400
703 T2 F	3500
705 T2 F	6500
705 T2 L	6500
706 T2 N	10000
707 T2 N	15000
709 T2 N	20000
710 T2 N	30000
711 T2 C	35000
713 T3 N	55000
715 T3 N	80000

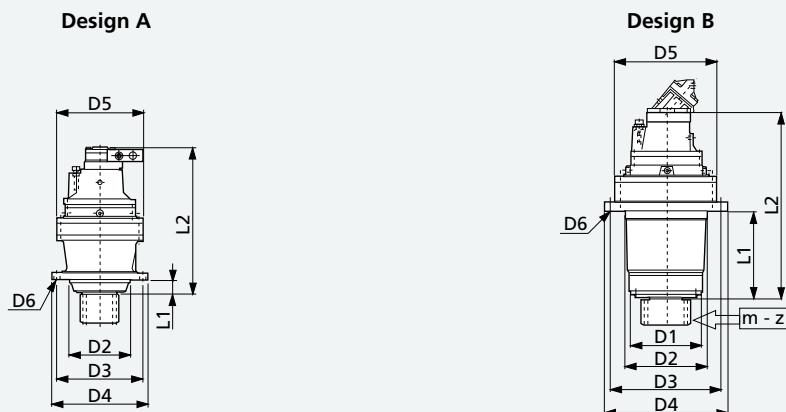


Overall dimensions and technical data



Type	Range of ratios	Max. input speed	Hydraulic motor drive	Braking torque	Min. opening pressure	Weight	Design
	1:	min -1	(1)	Nm	bar	Kg	
700 T1 F	3.48-7.2	500	LS	50 - 400	10 - 30	22	A
701 T1 F	3.48-7.2	500	LS	50 - 400	10 - 30	27	A
703 T2F	12-44	3000	HS	50 - 400	10 - 30	45	A
705 T2F	12-44	3000	HS	50 - 400	10 - 30	55	A
705 T2L	12-44	3000	HS	50 - 400	10 - 30	80	B
706 T2N	15-46	3000	HS	400 - 1000	20 - 30	95	B
707 T2N	17-47	3000	HS	400 - 1000	20 - 30	140	B
709 T2N	17-47	3000	HS	400 - 1000	20 - 30	165	B
710 T2 N	19-38	3000	HS	400 - 1000	20 - 30	250	B
711 T2C	14-39	3000	HS	400 - 1000	20 - 30	300	B
713 T3N	50-300	3000	HS	400 - 1000	20 - 30	500	B
715 T3N	57-250	3000	HS	400 - 1000	20 - 30	650	B
711 T2F	14-39	3000	HS	400 - 1000	20 - 30	160	A

(1) LS = Low speed motor
HS = High speed motor



Type	D1	D2	D3	D4	D5	D6	L1	L2	m	z
700 T1 F	-	150	195	220	186	12.5	31	300	Module / number of teeth of pinion UPON REQUEST	
701 T1 F	-	150	195	220	186	12.5	31	325		
703 T2F	-	175	245	272	245	18	41	410		
705 T2F	-	175	245	272	245	18	41	440		
705 T2L	180	195	245	290	245	13	171	470		
706 T2N	200	250	325	360	292	17	225	560		
707 T2N	230	280	314	348	345	17	295	670		
709 T2N	250	280	380	420	345	17	295	720		
710 T2 N	300	425	460	500	400	22	360	730		
711 T2C	300	425	460	500	428	22	345	735		
713 T3N	340	400	510	560	445	22	420	1030		
715 T3N	370	470	600	640	542	22	465	1250		
711 T2F	500	320	500	560	425	22	70	750		

700TK series Slew drives

Slew drives for excavator duty.

The 700TK series is the compact and yet powerful package for the slew drive of excavators up to approx. 20 ton class.

The units are powered by integrated axial piston hydraulic motors, developed in cooperation with KAYABA and can be accommodated within the smallest space. Wide choice of drive pinions, standard or to customer specs.



Torque Range

750 ... 9000 Nm

Excavator weight

1.5 to 20 ton.

Gear Ratios

7 ... 40

Key Features

- Flange mounted
- Output shaft with integral pinion
- Rugged construction
- High torque capacity
- Output shafts supported by heavy duty bearings
- Compact design

Hydraulic motors

KAYABA hydraulic motor fixed displacement complete with shockless type pressure relief valve

Motor options

Anti swing-back valve

Brake

- Hydraulically released failsafe parking brake
- Brake retarder valve on request

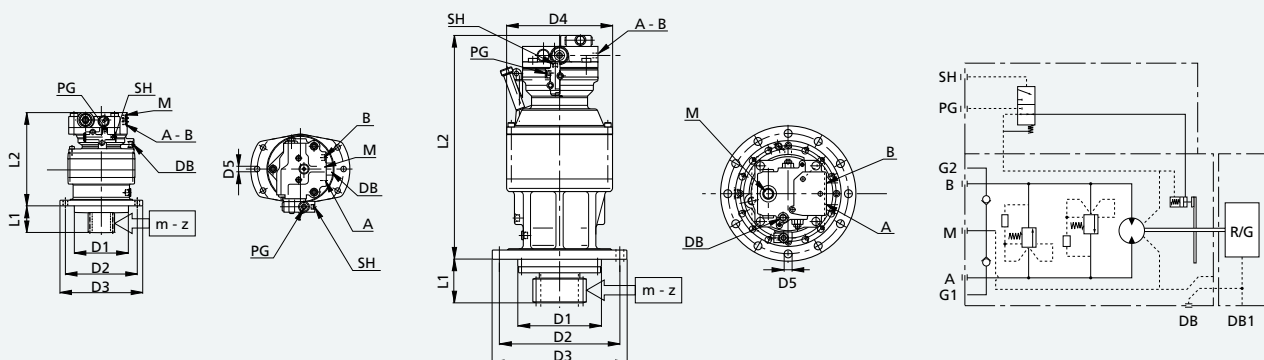
Type	Torque [Nm]
700 T1 K-27	750
701 T2 K-27	1200
703 T2 K-27	2000
705 T2 K-44	4000
706 T2 K-63	6000
706 T2 K-85	7000
707 T2 K-85	9000



Overall dimensions and technical data



Type	Motor displacement	Max. pressure	Max. flow	Parking brake		Range of ratio	Approx. weight of machine
	cm	bar	l/min	Yes	No	1:	ton
700 T1 K - 27	27.4	210	18	•	•	8.2	1.5 - 2.5
701 T2 K - 27	27.4	210	30	•	•	13.7-20.8	3 - 4
703 T2 K - 27	27.4	250	50	•	•	14.8-35.6	5 - 6
705 T2 K - 44	44.1	280	80	•		18-26.3	7 - 8
706 T2 K - 63	62.9	280	120	•		15.3-33	9 - 10
706 T2 K - 85	87.3	320	160	•		15.3-22.6	11 - 13
707 T2 K - 85	87.3	320	160	•		14.7-22.3	15 - 18



Type	D1	D2	D3	D4	D5	L1	L2	A-B	DB	M	SH	PG	m	z
700 T1 K - 27	-	228	260	186	ø 13 n°6	76	221	MAIN PORT	DRAIN PORT	ANTICAVITATION PORT	SPOOL OPERATING PORT	BRAKE RELEASE PORT	Module / number of teeth of pinion UPON REQUEST	
701 T2 K - 27	175	228	260	186	ø 13 n°6	86	256							
703 T2 K - 27	175	245	272	244	ø 18 n°10	120	330							
705 T2 K - 44	230	245	272	244	ø 18 n°10	120	420							
706 T2 K - 63	230	332	372	292	ø 22 n°10	150	580							
706 T2 K - 85	270	332	372	292	ø 22 n°10	150	615							
707 T2 K - 85	-	360	410	348	ø 22 n°12	160	580							

800 series Winch drives

Gear units for winch application.

The units of the 800 series are specifically designed for winch applications, and can be easily accommodated within the drum itself.

Available in various gear ratios, units feature heavy duty bearings and an optional failsafe parking or emergency multidisc brake.



Torque Range

5000 Nm ... 42000 Nm

Line rope range

35000 N to 170000 N

Gear Ratios

21 ... 108

Key Features

- Rotating housing flange
- Rugged construction
- High torque capacity
- High load capacity
- Freewheel for antirun-back device, as an optional

Applicable hydraulic motors

- Flanged axial piston motors
- Orbit motors

Brake

- Hydraulically released parking brake on request

Type	Torque [Nm]
805 W2	5000
806 W2	10000
810 F2	17500
811 W2	27000
813 W3	42000

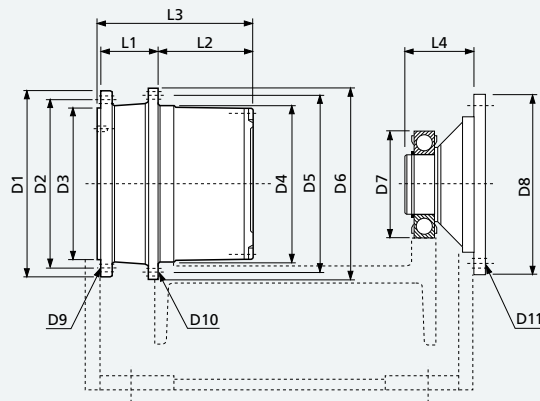
Type	Max. line rope N
805 W2	35000
806 W2	50000
810 F2	85000
811 W2	120000
813 W3	170000



Overall dimensions and technical data



Type	Range of ratios	Max. input speed	Braking torque	Min. opening pressure	Weight
	1:	min -1	Nm	bar	Kg
805 W2	22 - 53	3000	500 - 750	15 - 25	70
806 W2	30 - 44	3000	700 - 1000	15 - 25	95
810 F2	21 - 46	3000	800 - 1200	15 - 25	160
811 W2	42	2500	900 - 1300	15 - 25	270
813 W3	60 - 108	2500	900 - 1300	15 - 25	310



Type	D1	D2	D3	D4	D5	D6	D7	D8	D9	D10	D11	L1	L2	L3	L4
805 W2	265	240	215	225	250	270	140	210	M12x1.75 n°16	ø13 n°16	ø13 n°8	75	158	250	95
806 W2	330	300	270	280	315	340	140	210	M16x2 n°12	ø17 n°12	ø13 n°8	100	165	280	95
810 F2	270	240	215	350	375	410	190	320	M16x2 n°18	ø13 n°24	ø19 n°12	25	310	360	110
811 W2	420	325	280	410	455	490	190	320	M20x2.5 n°21	ø22 n°24	ø19 n°12	110	260	390	110
813 W3	420	325	280	410	455	490	190	320	M20x2.5 n°21	ø22 n°24	ø19 n°12	110	275	405	110

Our qualities



Sharing the value of our work with you.



The development of effective, tailored solutions for a wide range of applications is a fundamental aspect of our work.

We succeed in this because we co-operate closely with our customers, listen to their requests and work with them to improve our own performance.



Bonfiglioli is determined to deliver the best service possible – before, during and after the sale of any of our products – by applying all our know-how, experience, technology, and advanced communication tools. Bonfiglioli works to the strictest standards of quality and safety, as certified by seven different internationally recognised institutes.



We believe in innovation, and back up this belief by dedicating 100 of our people and 5 activity centres to research and development, and by working hand in hand with some of the world's most prestigious universities.

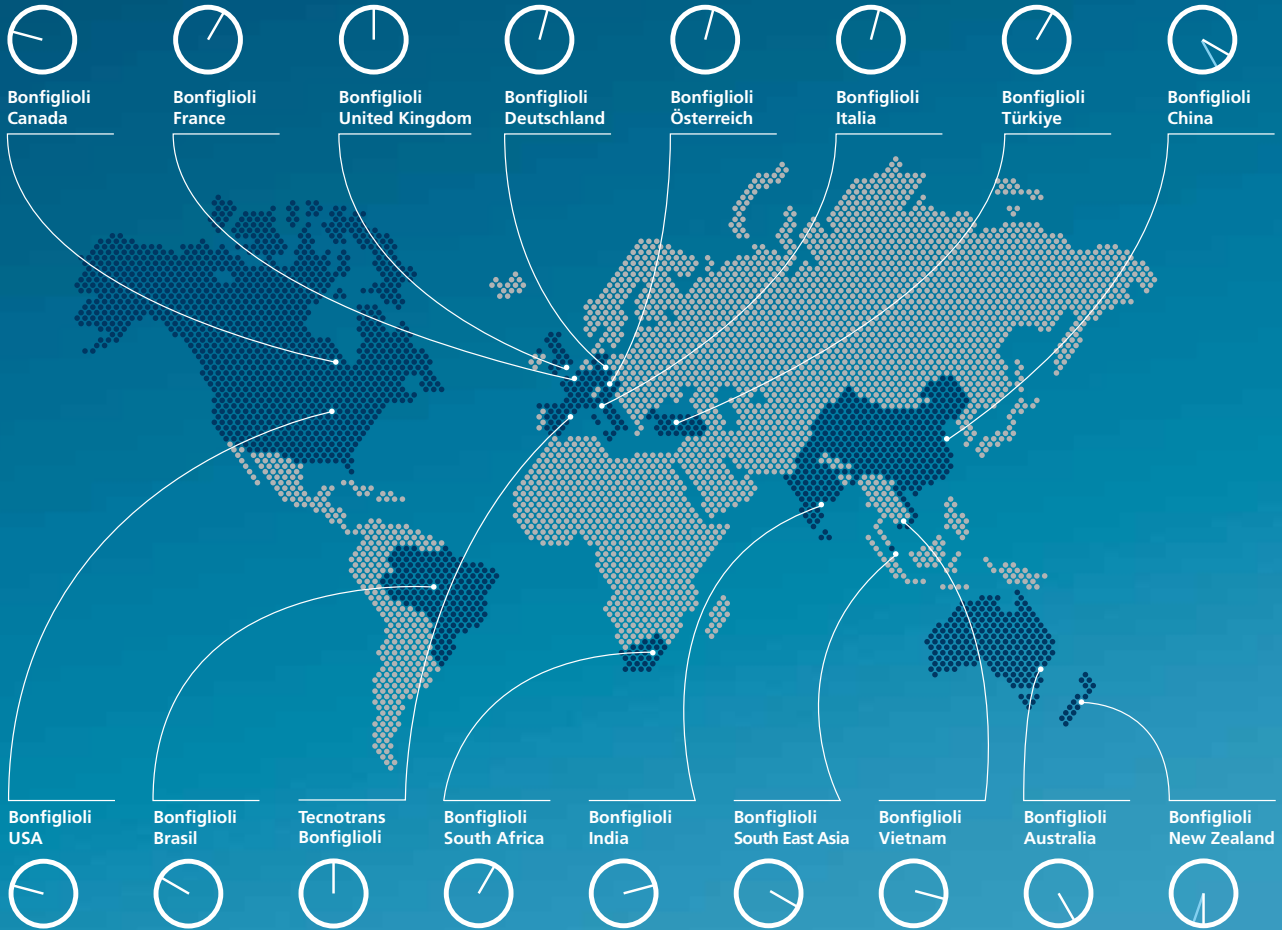
Our work increasingly brings us into contact with other nations and cultures, for which we have the greatest respect and with whom we share a vision of sustainable development based on renewable energy.

This bond of commitment allows us to be an authoritative and reliable global partner for the present and the future.



Branches and facilities

Our branches



Our production facilities



Bonfiglioli worldwide network.

Bonfiglioli Australia

2, Cox Place Glendenning NSW 2761
Locked Bag 1000 Plumpton NSW 2761
Tel. (+ 61) 2 8811 8000 - Fax (+ 61) 2 9675 6605
www.bonfiglioli.com.au - sales@bonfiglioli.com.au

Bonfiglioli Brazil

Travessa Cláudio Armando 171 - Bloco 3
CEP 09861-730 - Bairro Assunção
São Bernardo do Campo - São Paulo
Tel. (+55) 11 4344 1900 - Fax (+55) 11 4344 1906
www.bonfigliolidobrasil.com.br
bonfiglioli@bonfigliolidobrasil.com.br

Bonfiglioli Canada

2-7941 Jane Street - Concord, Ontario L4K 4L6
Tel. (+1) 905 7384466 - Fax (+1) 905 7389833
www.bonfigliolicanada.com
sales@bonfigliolicanada.com

Bonfiglioli China

19D, No. 360 Pu Dong Nan Road
New Shanghai International Tower
200120 Shanghai
Tel. (+86) 21 5054 3357 - Fax (+86) 21 5970 2957
www.bonfiglioli.cn - bdssales@bonfiglioli.com.cn

Bonfiglioli Deutschland

Sperberweg 12 - 41468 Neuss
Tel. (+49) 02131 2988-0
Fax (+49) 02131 2988-100
www.bonfiglioli.de - info@bonfiglioli.de

Bonfiglioli España

TECNOTRANS BONFIGLIOLI S.A.
Pol. Ind. Zona Franca sector C, calle F, nº6
08040 Barcelona
Tel. (+34) 93 4478400 - Fax (+34) 93 3360402
www.tecnotrans.com - tecnotrans@tecnotrans.com

Bonfiglioli France

14 Rue Eugène Pottier BP 19
Zone Industrielle de Moimont II
95670 Marly la Ville
Tel. (+33) 1 34474510 - Fax (+33) 1 34688800
www.bonfiglioli.fr - btf@bonfiglioli.fr

Bonfiglioli India

PLOT AC7-AC11 Sidco Industrial Estate
Thirumudivakkam - Chennai 600 044
Tel. +91(0) 44 24781035 - 24781036 - 24781037
Fax +91(0) 44 24780091 - 24781904
www.bonfiglioliindia.com - bonfig@vsnl.com

Bonfiglioli Italia

Via Sandro Pertini lotto 7b
20080 Carpiano (Milano)
Tel. (+39) 02 985081 - Fax (+39) 02 985085817
www.bonfiglioli.it
customerservice.italia@bonfiglioli.it

Bonfiglioli New Zealand

88 Hastie Avenue, Mangere Bridge, Auckland
2022, New Zealand - PO Box 11795, Ellerslie
Tel. (+64) 09 634 6441 - Fax (+64) 09 634 6445
npollington@bonfiglioli.com.au

Bonfiglioli Österreich

Molkereistr 4 - A-2700 Wiener Neustadt
Tel. (+43) 02622 22400 - Fax (+43) 02622 22386
www.bonfiglioli.at - info@bonfiglioli.at

Bonfiglioli South East Asia

No 21 Woodlands industrial park E1
#02-03 Singapore 757720
Tel. (+65) 6893 6346/7 - Fax (+65) 6893 6342
www.bonfiglioli.com.au
sales@bonfiglioli.com.sg

Bonfiglioli South Africa

55 Galaxy Avenue,
Linbro Business Park - Sandton
Tel. (+27) 11 608 2030 OR - Fax (+27) 11 608 2631
www.bonfiglioli.co.za
bonfigsales@bonfiglioli.co.za

Bonfiglioli Türkiye

Atatürk Organize Sanayi Bölgesi,
10015 Sk. No: 17, Çigli - Izmir
Tel. +90 (0) 232 328 22 77 (pbx)
Fax +90 (0) 232 328 04 14
www.bonfiglioli.com.tr
info@bonfiglioli.com.tr

Bonfiglioli United Kingdom

Industrial Equipment
Unit 7, Colemeadow Road
North Moons Moat - Redditch,
Worcestershire B98 9PB
Tel. (+44) 1527 65022 - Fax (+44) 1527 61995
www.bonfiglioli.co.uk
uksales@bonfiglioli-uk.com
Mobile Equipment
3 - 7 Grosvenor Grange, Woolston
Warrington - Cheshire WA1 4SF
Tel. (+44) 1925 852667 - Fax (+44) 1925 852668
www.bonfiglioli.co.uk
mobilesales@bonfiglioli.co.uk

Bonfiglioli USA

3541 Hargrave Drive Hebron, Kentucky 41048
Tel. (+1) 859 334 3333 - Fax (+1) 859 334 8888
www.bonfiglioliusa.com
industrialsales@bonfiglioliusa.com
mobilesales@bonfiglioliusa.com

Bonfiglioli Vietnam

Lot C-9D-CN My Phuoc Industrial Park 3
Ben Cat - Binh Duong Province
Tel. (+84) 650 3577411 - Fax (+84) 650 3577422
www.bonfiglioli.vn - salesvn@bonfiglioli.com



Bonfiglioli has been designing and developing innovative and reliable power transmission and control solutions for industry, mobile machinery and renewable energy applications since 1956.